



O P . / -

---

KN AN= HA ARE A	L= G=CEJC PULA	OP= J =N L= GMPU	L= G=CA I =NGEJC	LEJO	L= G=CA AO NĒPKJ	I OH
--------------------	-------------------	---------------------	---------------------	------	---------------------	------

J=I A	LEJ	LEJ BQJ PÆJ

L=N=I APAN	ABEJ PÆJ	I EJ	I =T	QJÆ

L=N=I APAN	ABEJ PÆJ	I EJ	I =T	QJÆ

O P . / -

---

OUI KH	L=N=I APAN	PAOP KJ PEKJ	I EJ PUL I =T	QJP
[REDACTED] K				

B - O P. . / - A (R 9-.R

B . R R REJ



= K )

4

\_\_\_\_\_

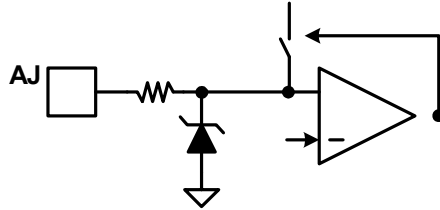
B L S I BLS I

REJ L 4 4

Q R H QRHK

A O 4

4



B 3 = REJ QRHK

$$3 = \frac{(\text{---}) -}{1(1 - \text{---}) + 2}$$

4

$$4 = \frac{3 \times}{- + 3(1 + 2)}$$

K L K L D I

R N



O P. . / -

---

---

---



# O P.. / -

---

K B N O

$$1 = \frac{(\quad - \quad) \times 2}{\quad} \quad 4$$

---

K R R N- P . N O  
N. H D - B . B / B

4

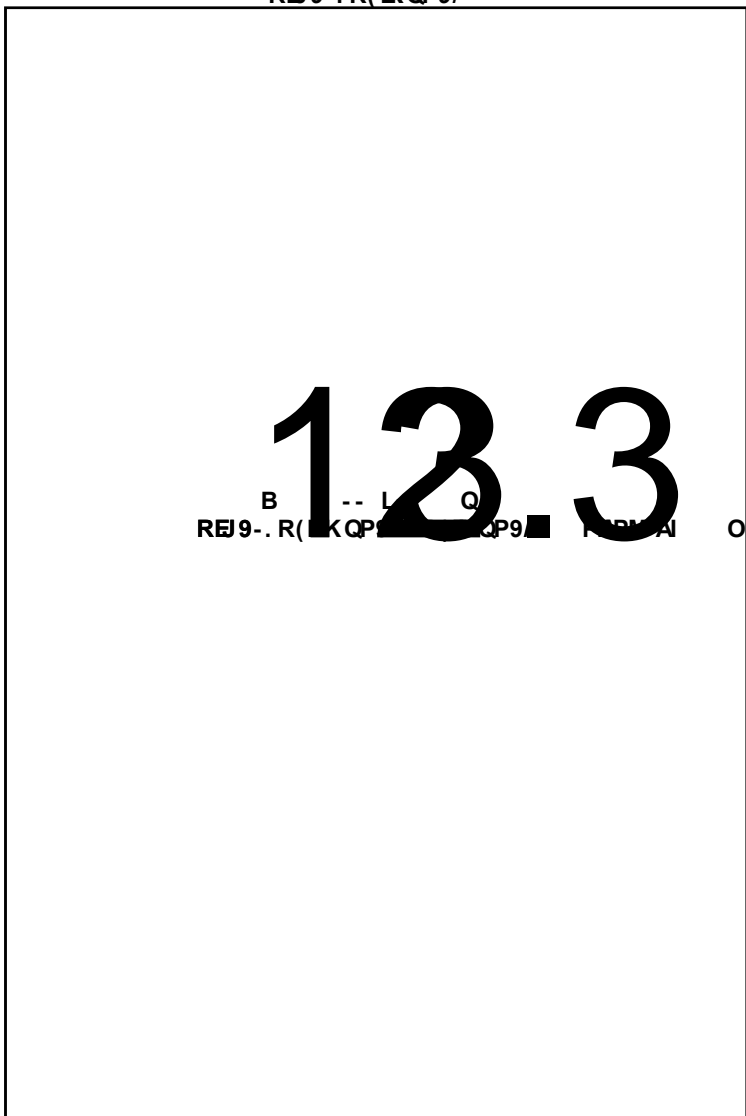
4

= S

4

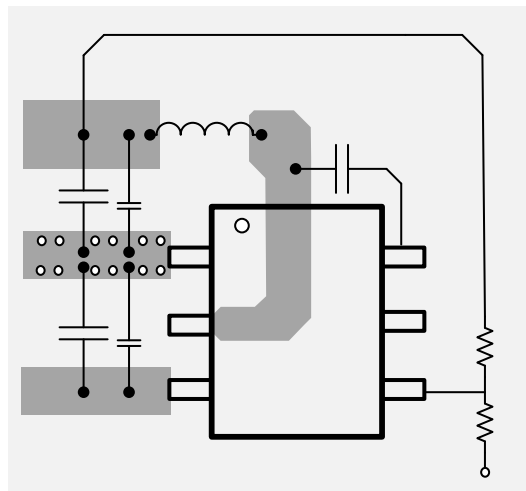
B 5 OS REJ9-. R( KQP9/ = K N

B -, OS S K N  
REJ9-. R( KQP9-, =



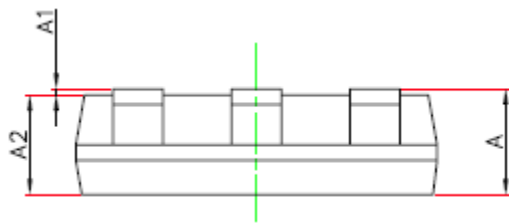
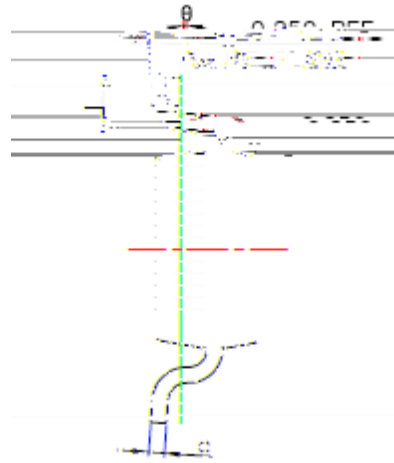
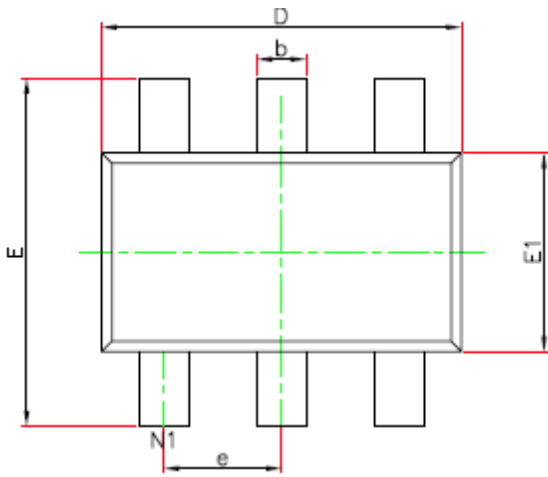
H C

4



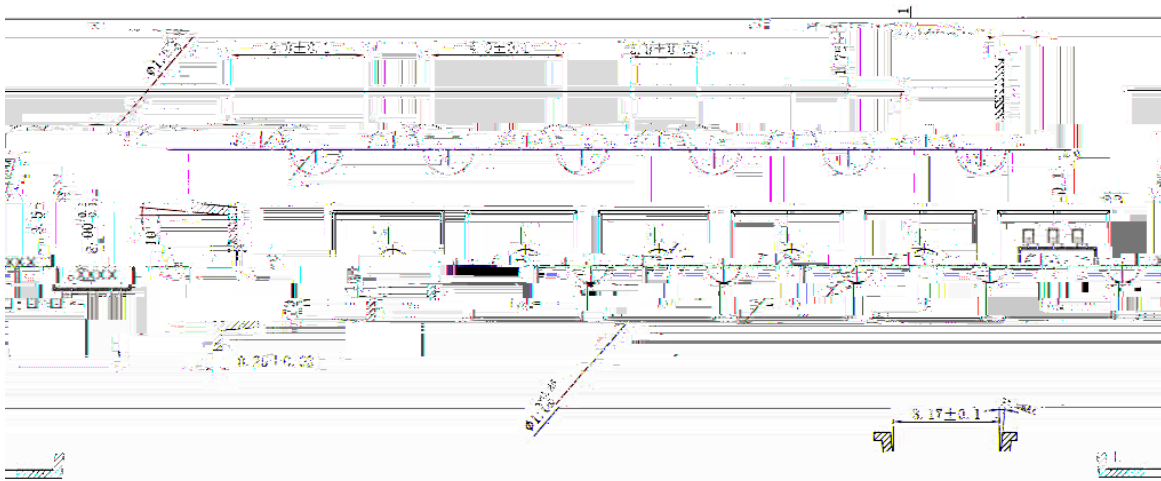
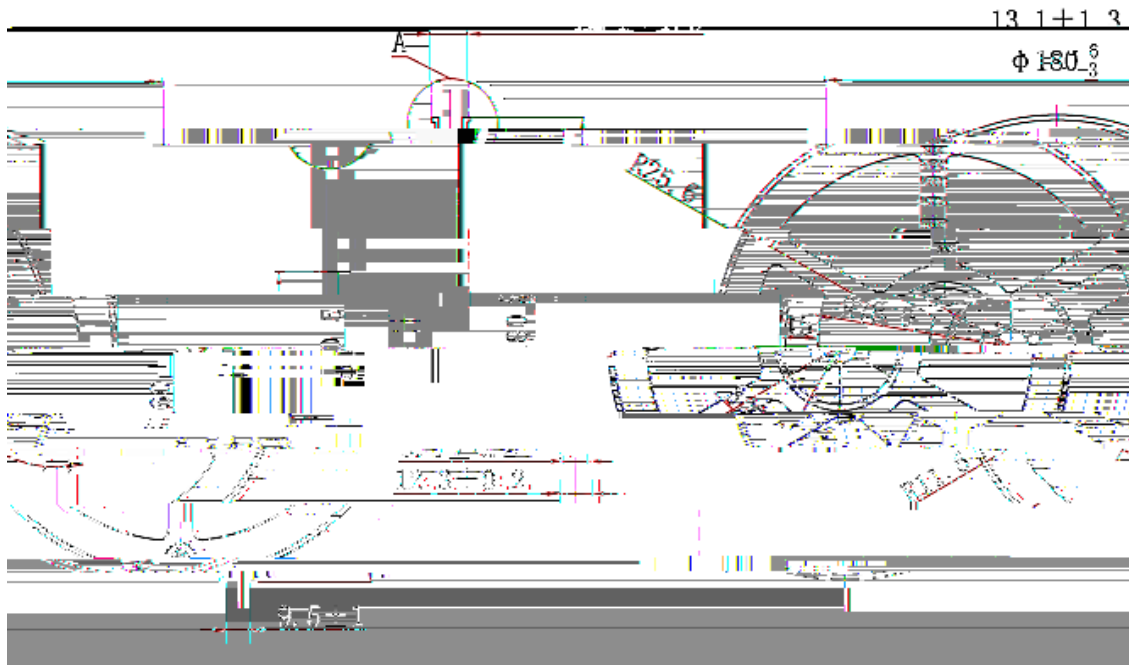
B -1 L H A

4



QUI	KH	Q 6I		
		I EJ	PUL	I = T

JKPA6



B

